

Updated 19.3.2024 | Latest: [www.crazyroadwall.com/catalogue](http://www.crazyroadwall.com/catalogue)



Catalogue 2024

Photo: @mikkokempas

# Less Is More!

...and cheaper



Our solution:



We are focused on bringing the **best value for money** – and **skateboarding!**



Our products use minimal amount of materials while **maximizing the fun.**



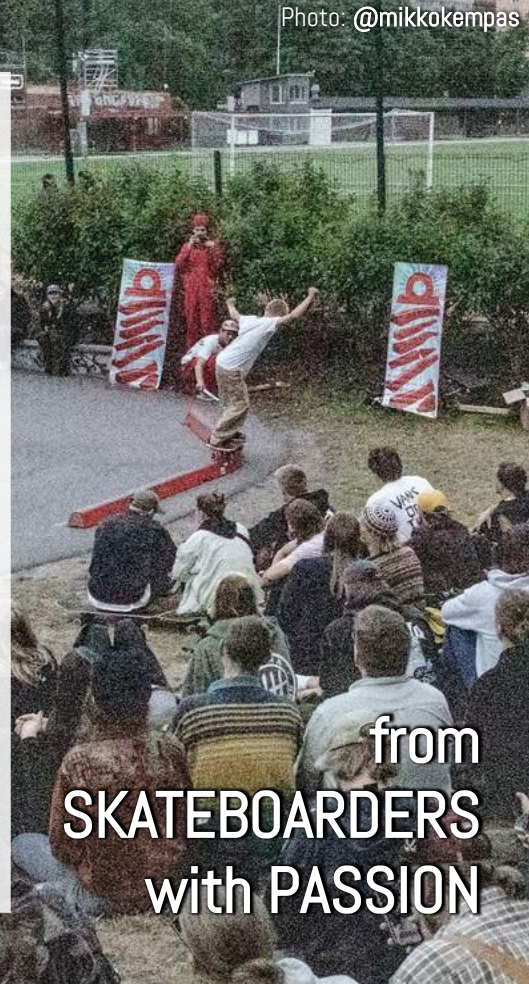
Modular **concrete element blocks** which are easy to move and install in existing **skateparks, school yards** or **old parking lots** – where ever there is flat ground suitable for skateboarding.



Building a new concrete skatepark from ground up is a huge investment and impossible to move later.



We offer tailored **element combinations** and **compact skatepark solutions** in collaboration with other professionals in the industry.



from  
**SKATEBOARDERS**  
with **PASSION**

## Durability



Our secret for strong result is the **controlled** manufactory environment and continuous testing + research.

Jerry



Oskari



## Modularity



All our products fit together enabling **unlimited** amount of combinations.

## Functional Design



We understand the **dynamics** of **skateboarding** and visual aesthetics. We offer **custom shapes & colors** to fit any project.



Photo: @mikkokempas



**BEGINNERS**

**KIDS**



**EXPERTS**



Photo: @dongrego

#1 The Straight Block

#2 Inner Curve

#5 Inner Fold

#12 Kicker

#6 ZigZag

#11 Rainbow

We have..  
10+ unique building blocks – *Unlimited* combinations

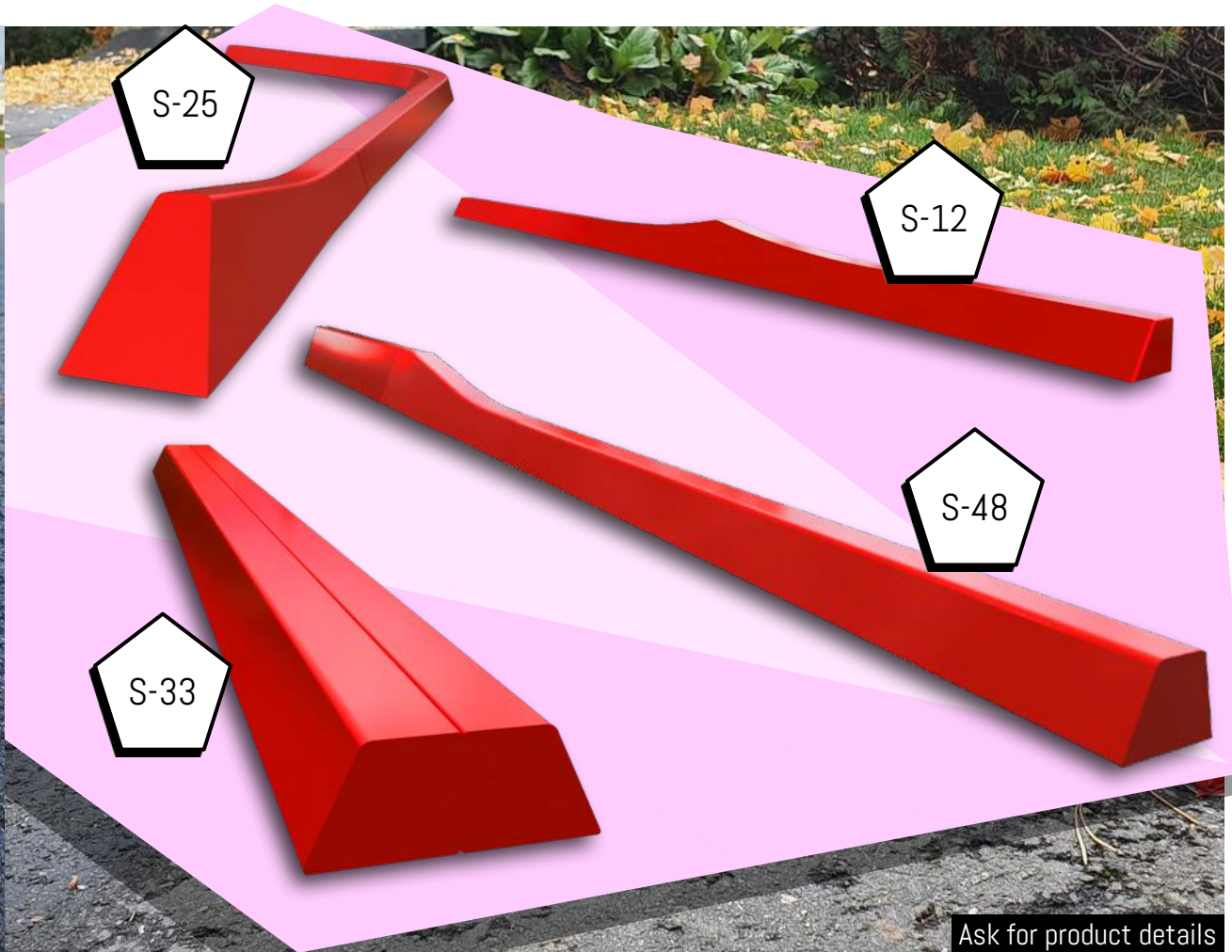


We make..  
Your custom *shapes* and **colors**



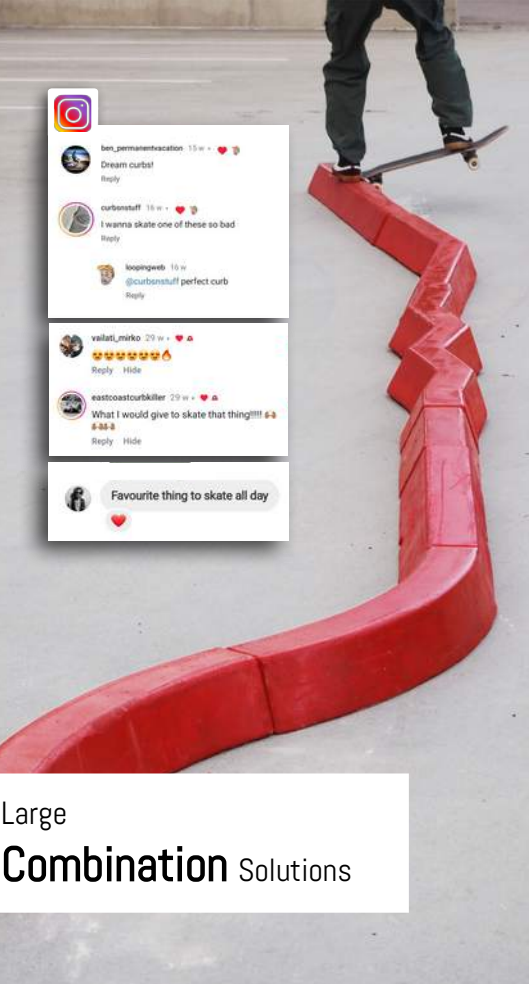


Small  
**Combination** Solutions



Ask for product details

Ask for product details

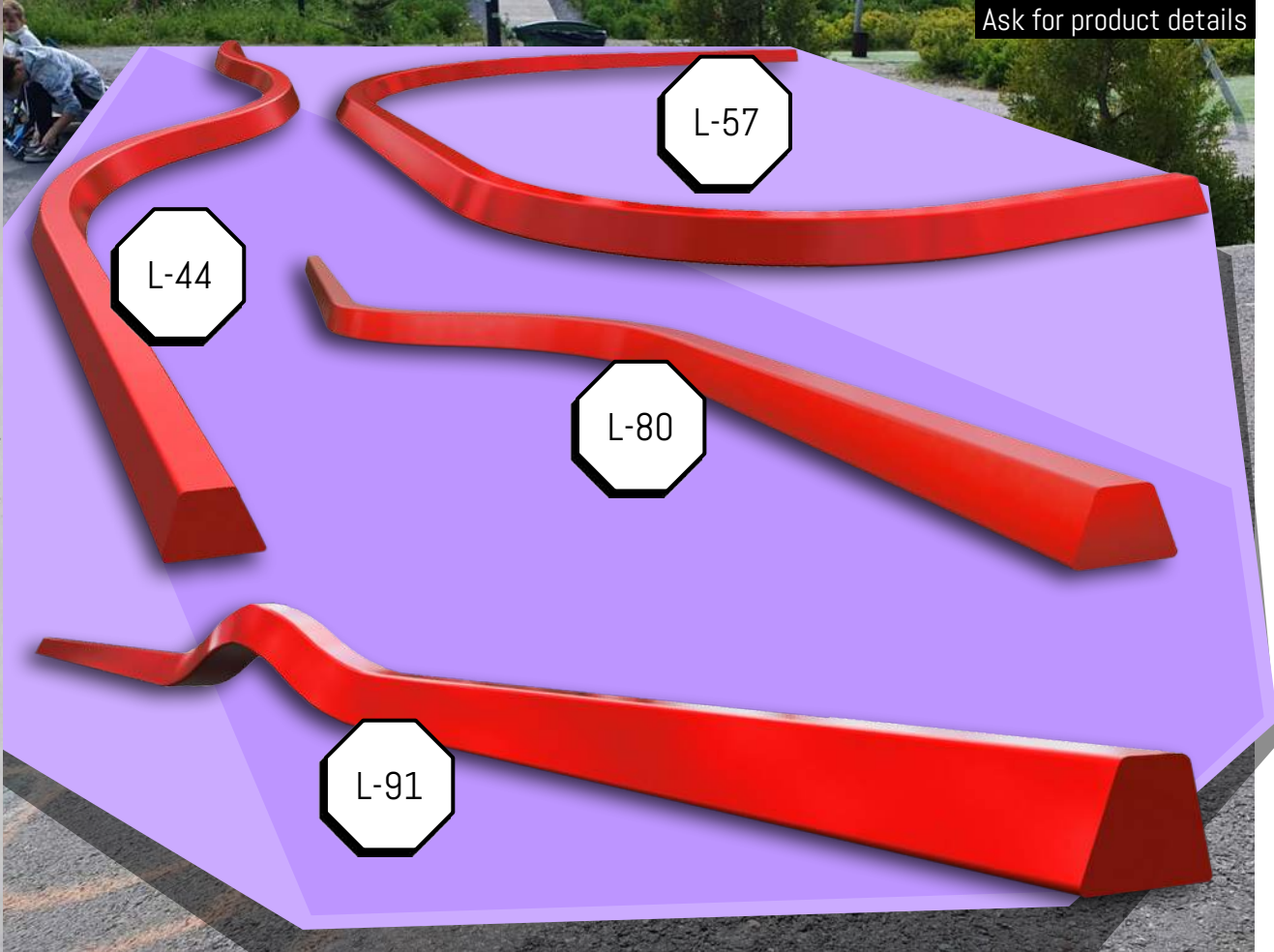


Instagram post overlay showing user comments:

- ben\_permanentvacation 15 w • ❤️ 🍌  
Dream curb!  
Reply
- curbonstuff 16 w • ❤️ 🍌  
I wanna skate one of these so bad  
Reply
- logingweb 15 w  
@curbonstuff perfect curb  
Reply
- vallat\_mirko 29 w • ❤️ 🍌  
🔥🔥🔥🔥🔥🔥🔥  
Reply Hide
- vasttoastcurbkiller 29 w • ❤️ 🍌  
What I would give to skate that thing!!!! 🍌  
🍌🍌  
Reply Hide

Favourite thing to skate all day

Large  
**Combination** Solutions



**SPOTTI**

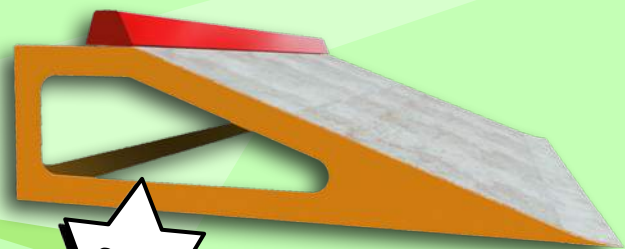
In collaboration with  
**Spottiskate!**

Ask for product details



Various  
**Special** Solutions

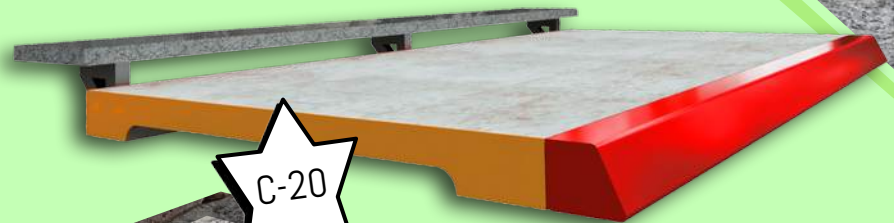
C-04



C-15



C-07



C-20





Seamless integration

Custom colors



# Small Skatepark

Example id: CRW-SS-300-e

Obstacles  
3 Small



3

Space requirement

Length: 15 m

Width: 12 m



Installation time

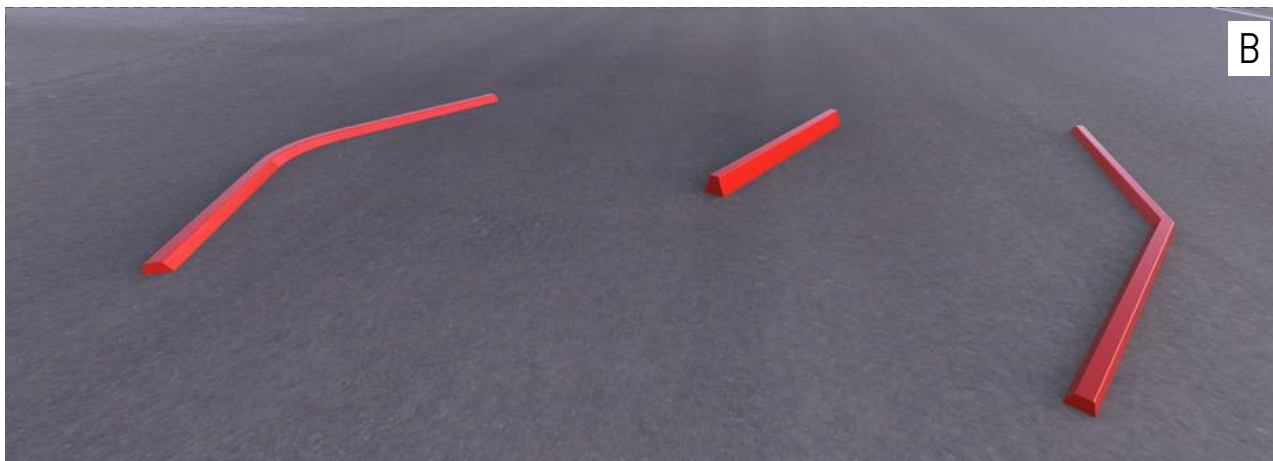
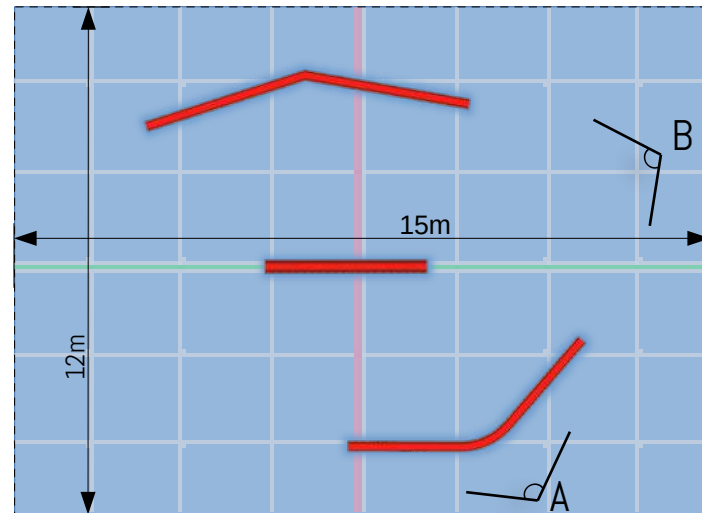
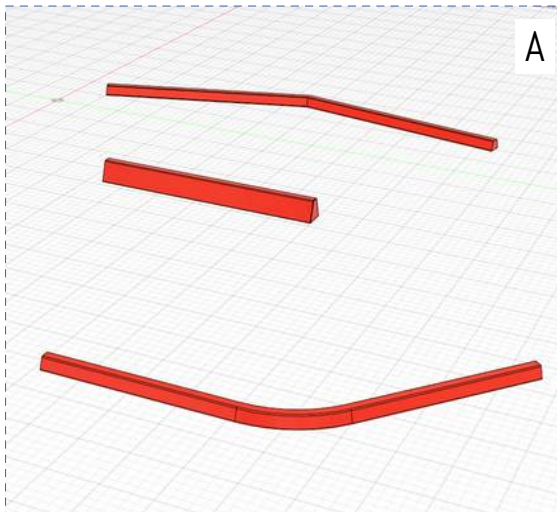
1 days



All our products are  
Easy to Install

Elements  
Delivered on site

Easy to  
Replace or Move  
to new location



# Compact Skatepark

Example id: CRW-CS-121-v

## Obstacles

1 Small

2 Large

1 Special

## Space requirement

Length: 28 m

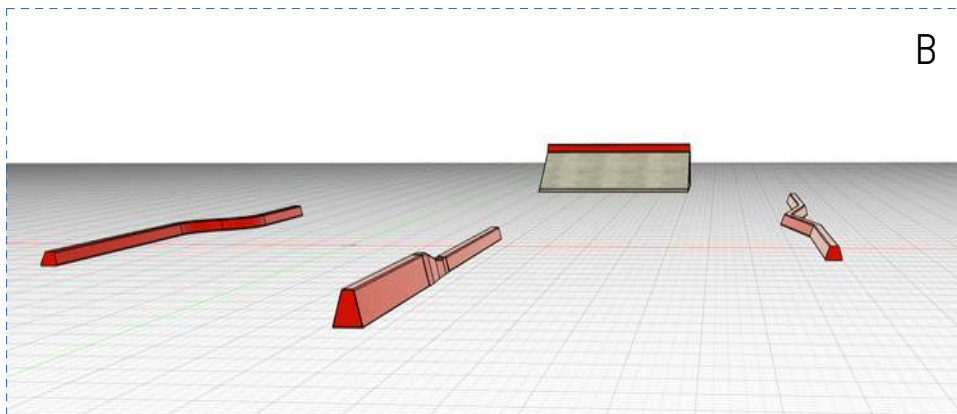
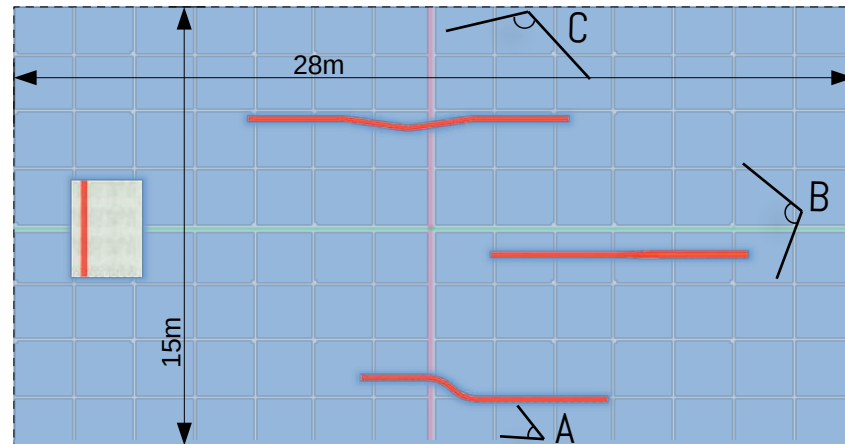
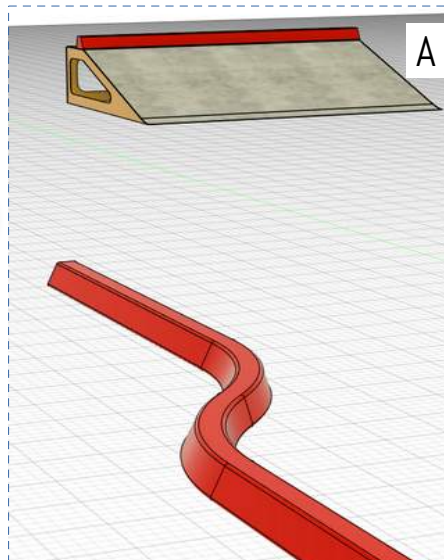
Width: 15 m

## Installation time

2-3 days



4



# Full size Skatepark

Example id: CRW-FS-622-a

## Obstacles

5 Small

2 Large

3 Special



## Space requirement

Length: 30 m

Width: 22 m



## Installation time

3-5 days

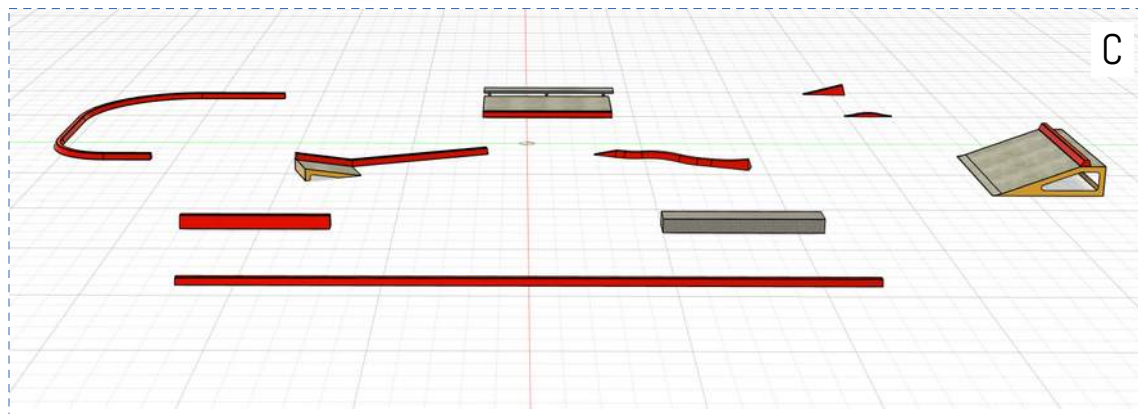
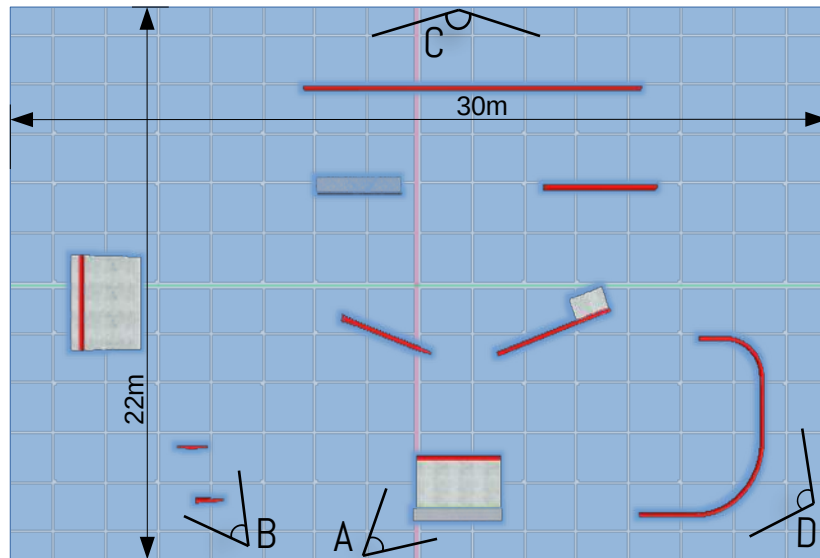
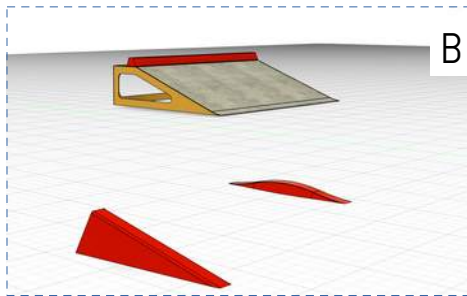
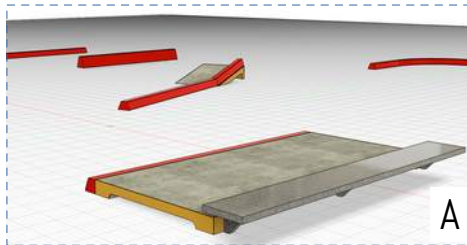
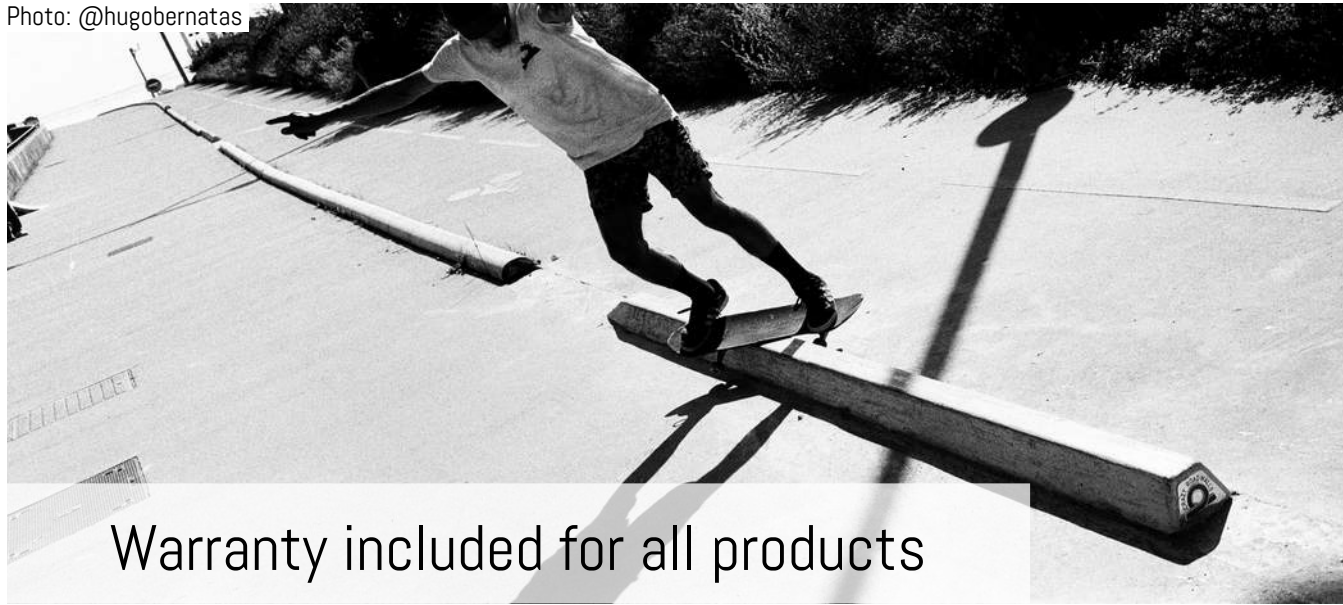


Photo: @hugobernatas



Warranty included for all products





Customizations free of charge – always



# References



Helsinki (Redi)



Helsinki (Kontula)



Havumäki Ranch



Pihtipudas



Akaa



Pälkäne



Prague



Eura



Tallinn



Brooklyn, NYC



Kuopio



Kaunas



Vesilahti



Silta DIY



Saukonpuisto DIY



Bommari

We focus on preserving the skateboarding

## Community by



providing professional skatepark solutions suitable for **multiple** locations and budgets.



Along the way we organize **events** and **support** local communities!



# We Care

We are committed to fight for sustainable

## Environment by

Minimizing the concrete  
Maximizing the **durability**



**Roughly**, we could place one 6 meter obstacle for every skatepark in Europe (~30 000 parks) with the amount of concrete used for one (1) apartment building. (64 apartments)



+ our products are modular and easy to move unlike apartment buildings



Photo: @hugobernatas




[info@crazyroadwalls.com](mailto:info@crazyroadwalls.com)

+358 4578375063



<https://crazyroadwalls.com/>

 @crazyroadwalls